

Geomaster warmtepomp: NSKW 06 t/m 17

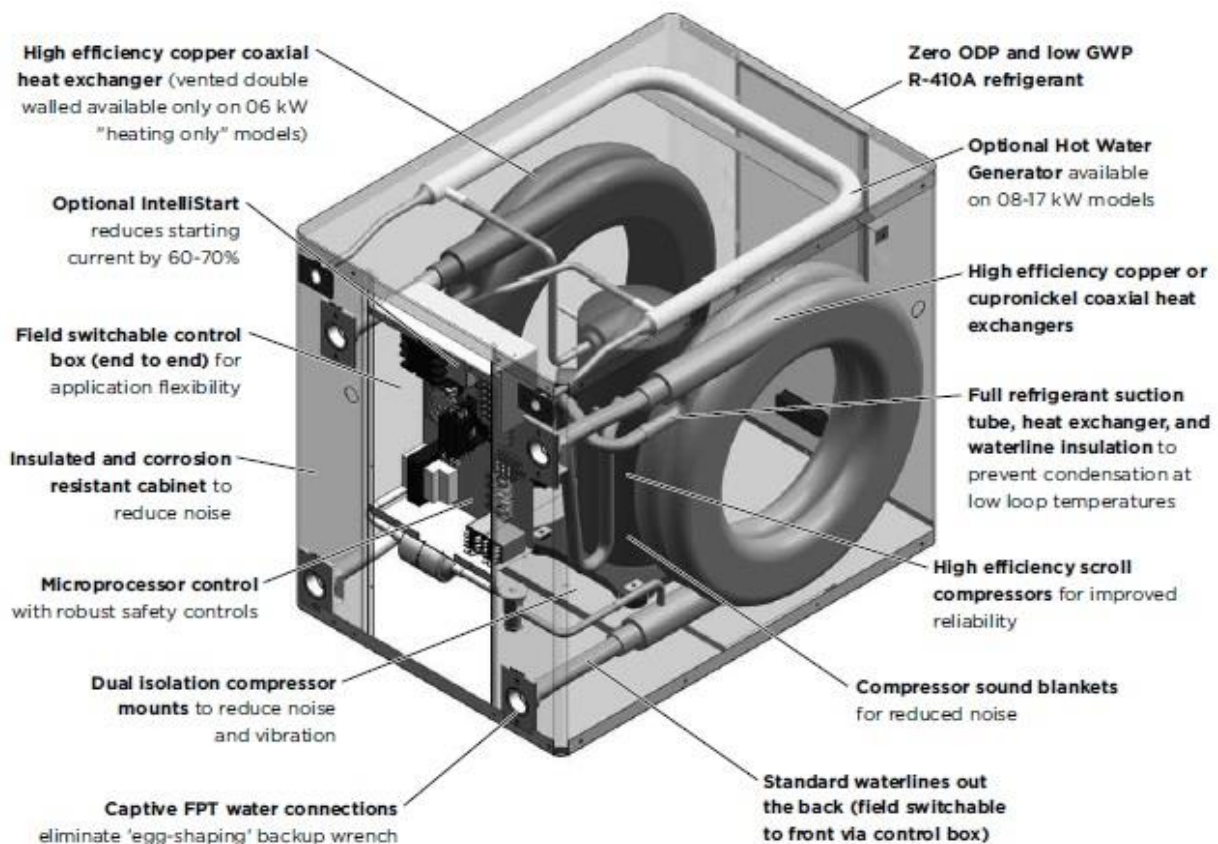
Kenmerken

- Water/water warmtepomp
- Aan/uit regeling
- Opstelling in combinatie met buffervat
- Eenvoudige installatie
- Hoog comfort door snelle reactie warmtepomp
- Actieve koeling
- Eenvoudige bediening

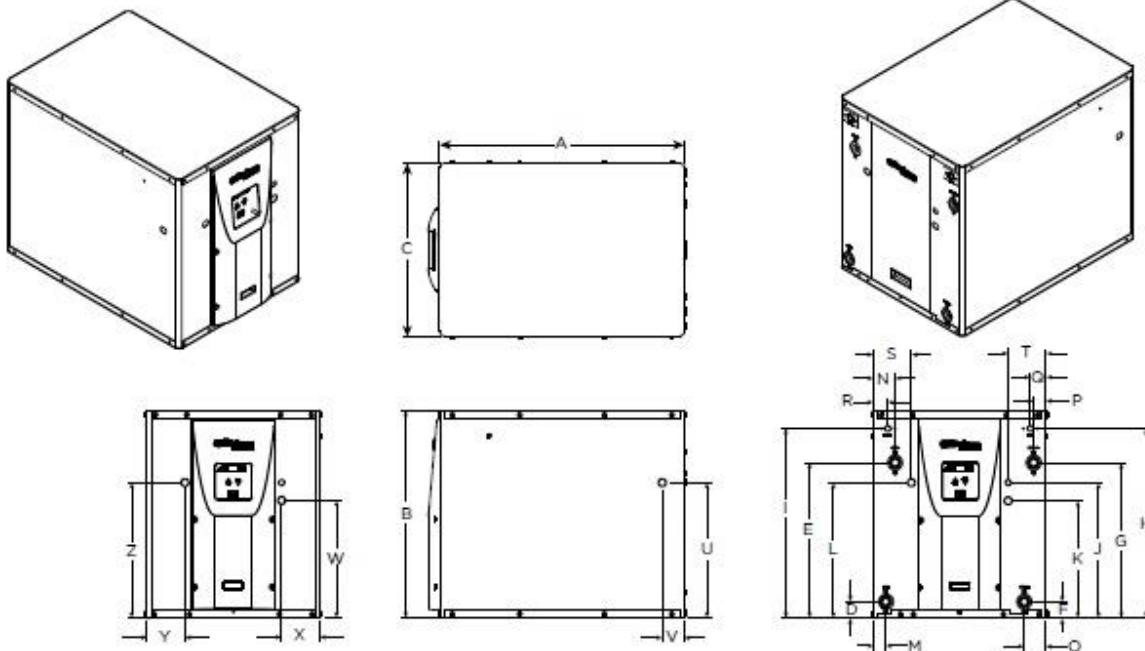


Heating Performance

Model	B0/W35			W10/W35			B0/W45			B5/W35			W10/W45		
	Capacity Output kW	COP	Power Input kW	Capacity Output kW	COP	Power Input kW	Capacity Output kW	COP	Power Input kW	Capacity Output kW	COP	Power Input kW	Capacity Output kW	COP	Power Input kW
06	5.80	3.80	1.53	7.30	4.80	1.52	5.50	2.90	1.90	6.60	4.30	1.54	7.10	3.70	1.92
08	8.30	4.20	1.98	10.6	5.30	2.00	8.00	3.20	2.50	9.50	4.80	1.98	10.2	4.10	2.49
12	11.6	4.20	2.80	14.4	5.30	2.72	11.3	3.20	3.53	13.3	4.80	2.77	14.2	4.10	3.46
17	16.6	3.70	4.49	21.4	4.70	4.55	15.9	2.90	5.50	19.0	4.30	4.42	20.4	3.70	5.51



Dimensional Data



NOTE: Plastic front panel extends 3.56 cm beyond front of cabinet.

8/09/13

Model	Overall Cabinet			Water Connections									Electrical Knockouts			
	A	B	C	D	E	F	G	H	I				J	K	L	
	Depth	Height	Width	Load Liquid In	Load Liquid Out	Source Liquid In	Source Liquid Out	HWG In	HWG Out	Load Water FPT	Source Water FPT	HWG Water FPT	1/2 in. cond	3/4 in. cond	3/4 in. cond	
06	cm.	59.7	66.3	49.5	25.4	56.4	25.4	56.4	-	-	25.4 mm	25.4 mm	-	40.6	36.1	36.1
08	cm.	78.7	66.5	55.9	5.3	49.8	5.3	49.8	60.7	60.7	25.4 mm	25.4 mm	127 mm	43.4	37.6	43.4
12	cm.	78.7	66.5	55.9	5.6	52.3	5.6	52.3	60.7	60.7	31.8 mm	31.8 mm	127 mm	43.4	37.6	43.4
17	cm.	78.7	66.5	55.9	6.1	58.4	6.1	58.4	52.3	52.3	31.8 mm	31.8 mm	127 mm	43.4	37.6	43.4

Model	Water Connections									Electrical Knockouts					
	M	N	O	P	Q	R	S	T	U	V	W	X	Y	Z	
	Load Liquid In	Load Liquid Out	Source Liquid In	Source Liquid Out	HWG In	HWG Out	Power Supply	Low Voltage	Side Power Supply	Side Power Supply	Ext Pump	Ext Pump	Power Supply	Power Supply	
06	cm.	6.1	6.1	6.1	6.1	-	-	8.9	7.4	37.8	6.6	5.3	4.4	7.4	10.4
08	cm.	4.1	7.0	7.0	4.1	5.1	4.6	12.2	12.2	43.4	7.0	37.8	12.2	12.2	43.4
12	cm.	4.6	9.1	9.1	4.6	5.3	4.6	12.2	12.2	43.4	7.1	37.8	12.2	12.2	43.4
17	cm.	4.6	10.2	10.2	4.6	10.7	3.6	12.2	12.2	43.4	7.1	37.8	12.2	12.2	43.4

NOTE: Plastic front panel extends 3.56 cm beyond front of cabinet.

8/6/10

Energy Labelling

Supplier	WaterFurnace International, Inc.									
	NSKW06		NSKW08		NSKW12		NSKW17			
Model hot water heater										
Temperature application	°C		35	55	35	55	35	55	35	55
Declared load profile for water heating										
Seasonal space heating energy efficiency class, average climate	A++		A++		A++		A++		A++	
Water heating energy efficiency class, average climate										
Rated heat output (Pdesignh), average climate	kW		6		8		12		17	
Annual energy consumption space heating, average climate	kWh		2,860		3,432		3,689		4,543	
Annual energy consumption water heating, average climate	kWh		-		-		-		-	
Seasonal space heating energy efficiency, average climate	%		160		119		178		132	
Water heating energy efficiency, average climate	%		-		-		-		-	
Sound power level LWA indoors	dB		57		57		61		63	
Rated heat output (Pdesignh), cold climate	kW		6		8		12		17	
Rated heat output (Pdesignh), warm climate	kW		6		8		12		17	
Sound power level LWA outdoors dB	dB		-		-		-		-	

3/18/2016